

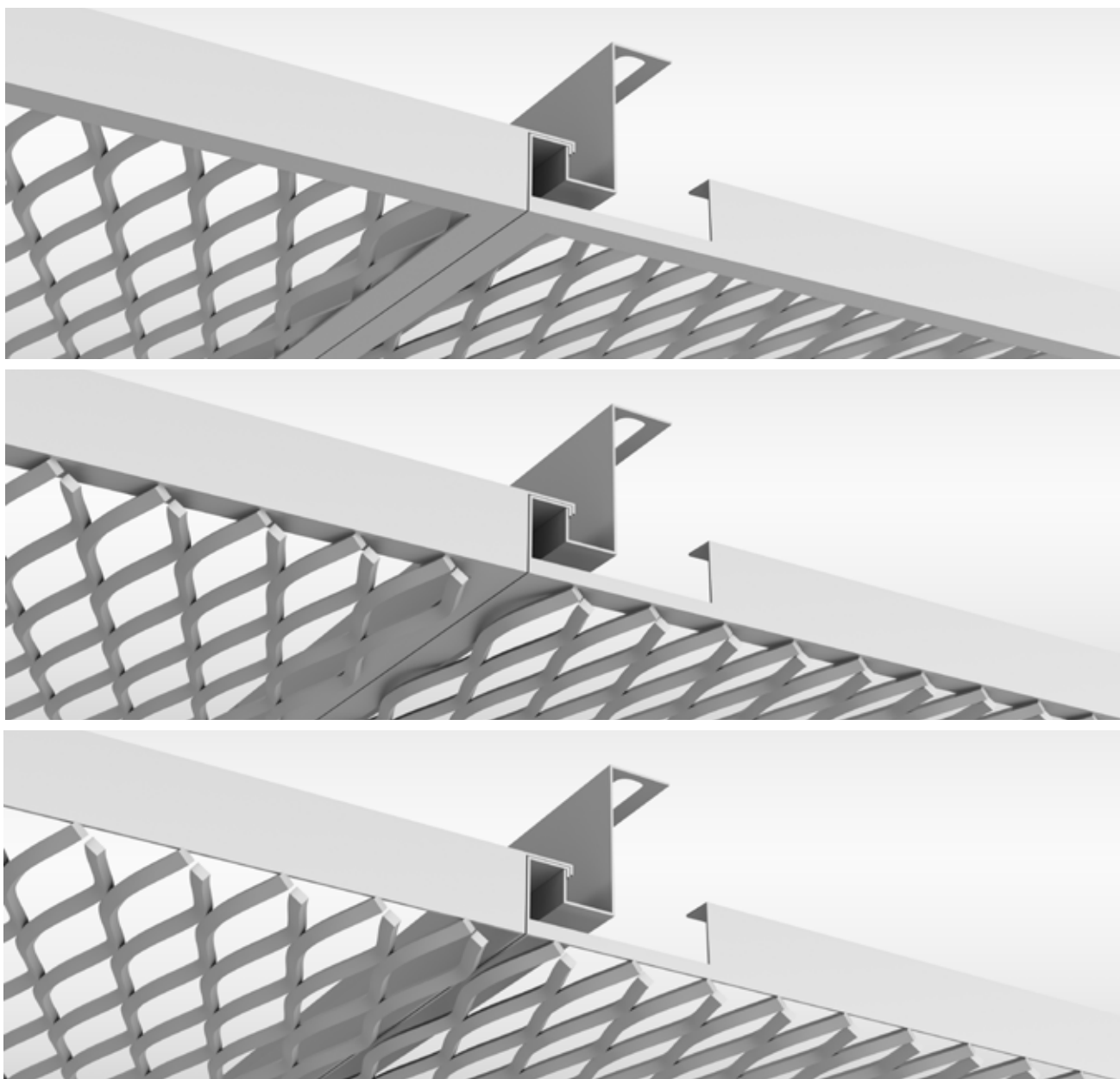


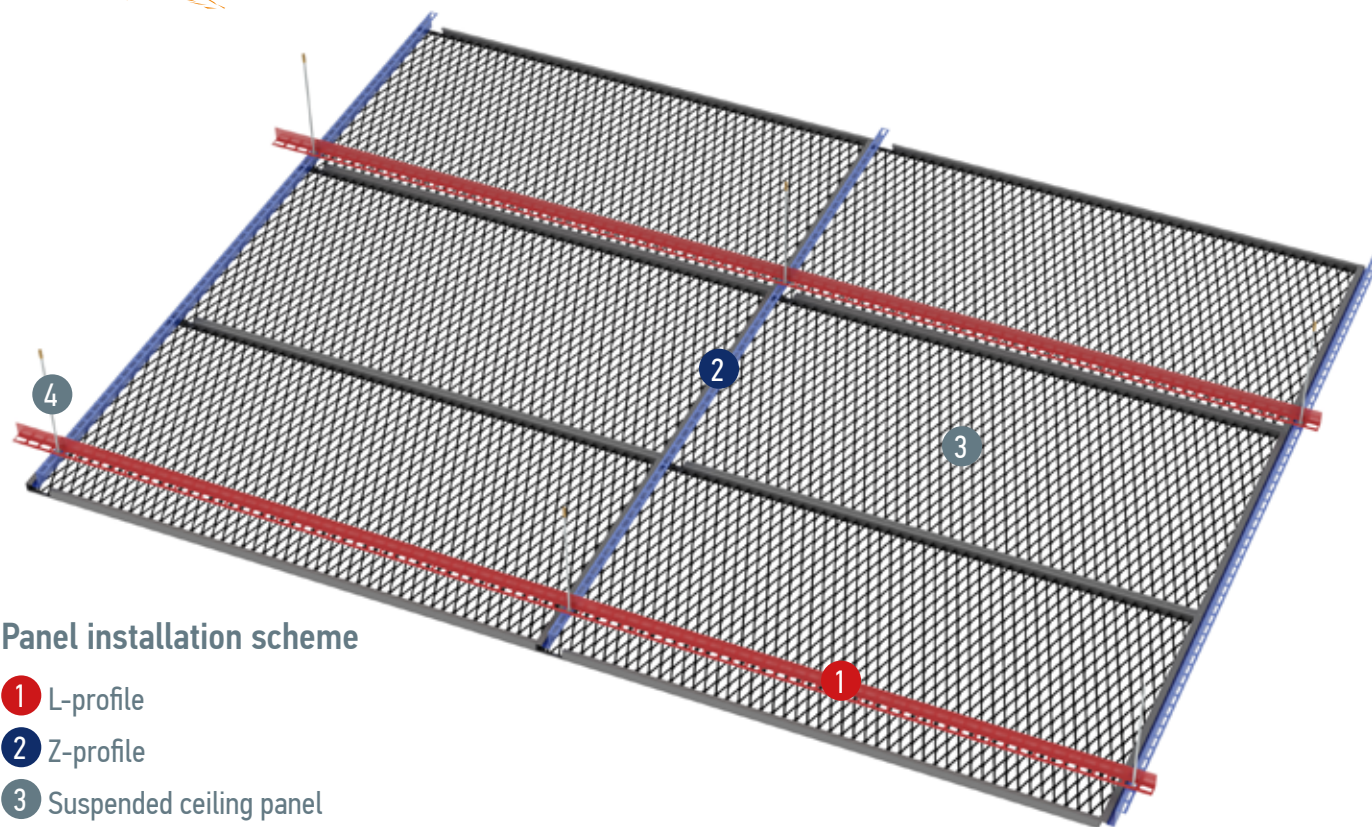
KRAFT MESH PANELS

HOOK LOCK

Technical characteristics of panels

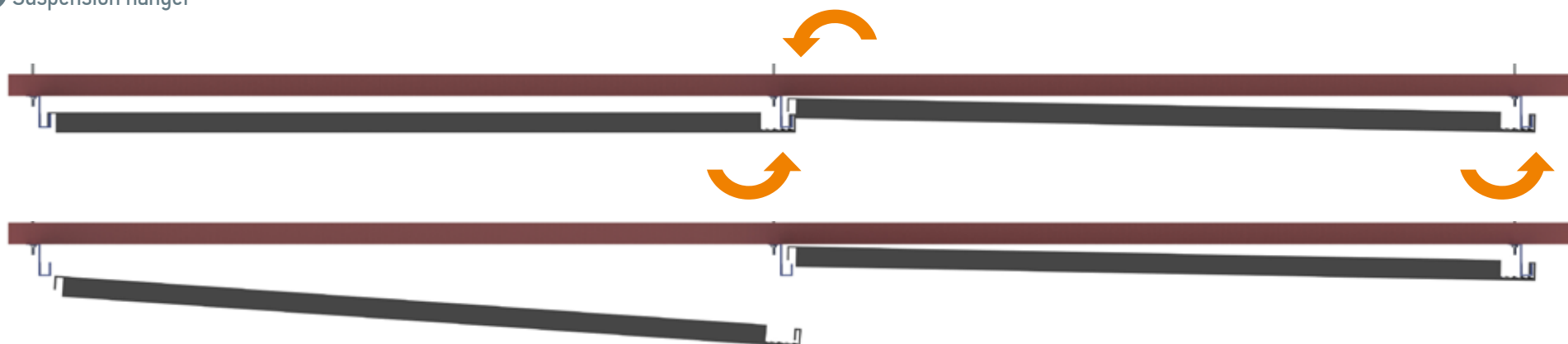
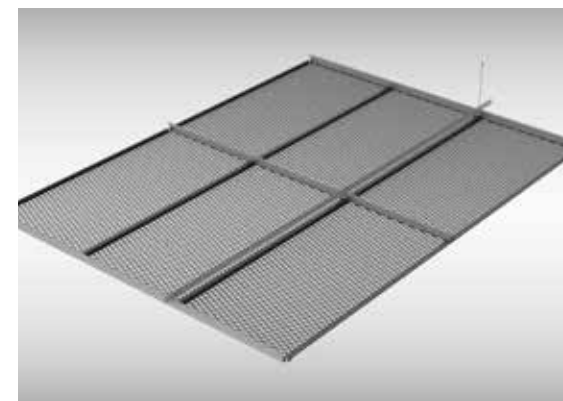
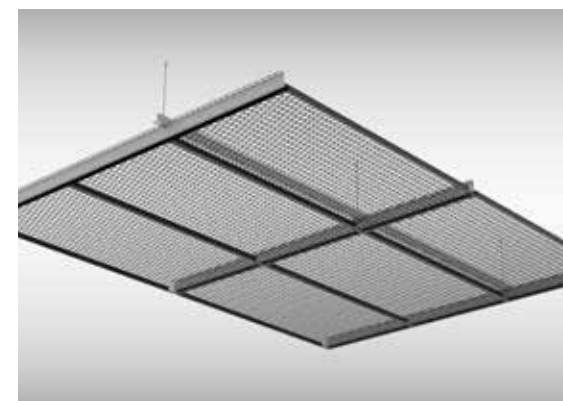
Specification	Hook Lock
Frame details	hook frame
Support structure	hidden type fixation on Z-profile
Standard panel sizes	600×600 mm, 600×1200 mm
Mesh metal thickness	1,0 mm
Coating thickness	60-80 microns
Colors	Any color from the RAL scale
Fire safety class	Euroclass A2-s1, d0 according to EN 13501-1
Acoustic properties	Additional acoustic filling with mineral fiber SOUNDTEX®
Moisture resistance (according to ECCA, EN 1396, ASTM D 2247, HR)	95%
Cell size	Standard





Panel installation scheme

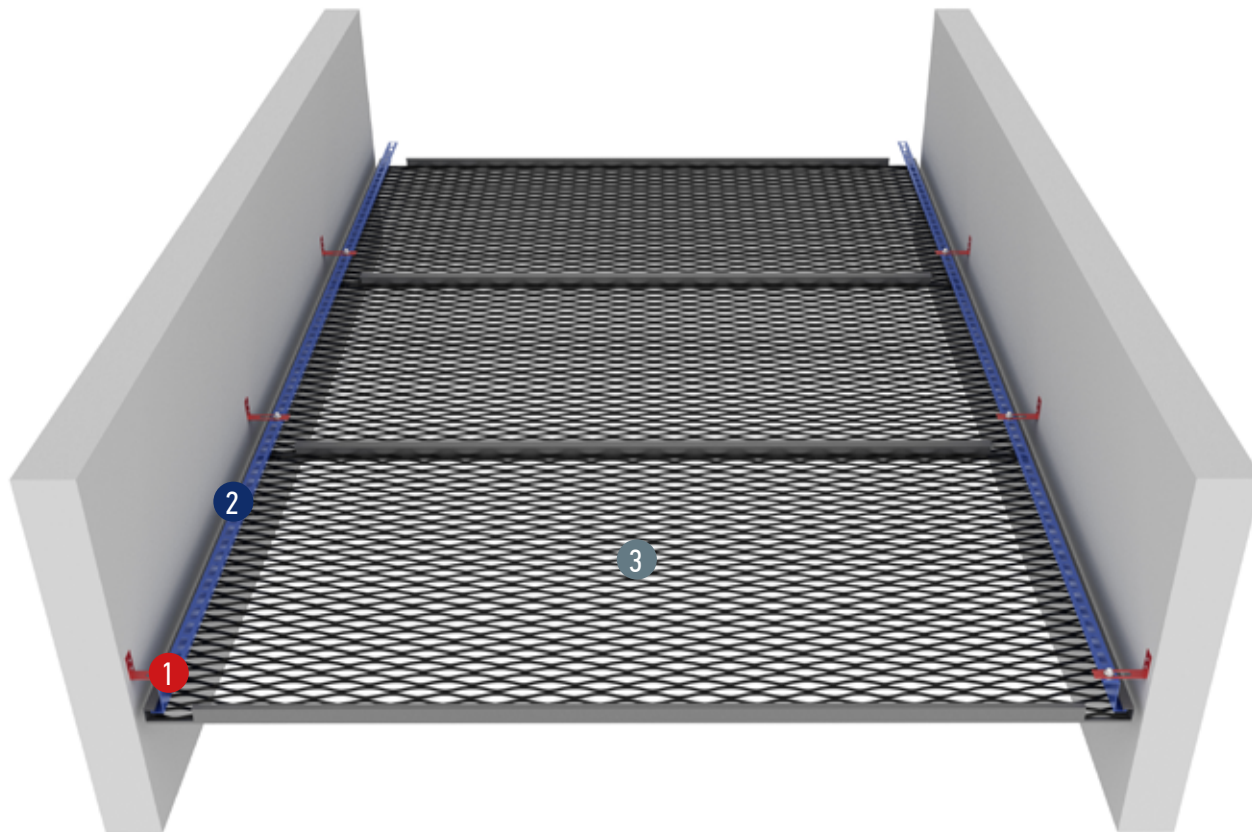
- 1 L-profile
- 2 Z-profile
- 3 Suspended ceiling panel
- 4 Suspension hanger



Hook Lock Corridor system – for narrow spaces

The Hook Lock Corridor system is a variation of the Hook Lock system, designed for corridor spaces, where panels are mounted to the walls without ceiling fixation. In this case, only a wall-mounted Z-profile is used for installation.

The system is also suitable for spaces where it is impossible to install a suspended ceiling or there are a large number of communications, cables, and ductworks. In this case, the fastening system is centrally fixed to the ceiling, and the other sides of the panels are mounted to the walls.



Panel installation scheme

- 1 L-corner
- 2 Z-traverse
- 3 Suspended ceiling panel