



KRAFT MESH PANELS

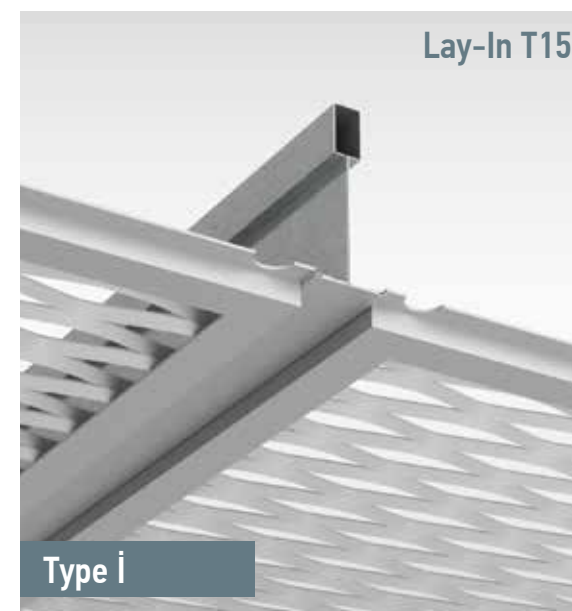
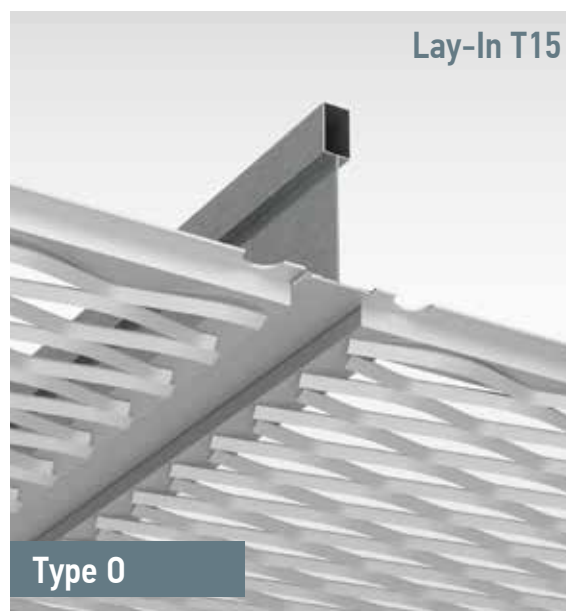
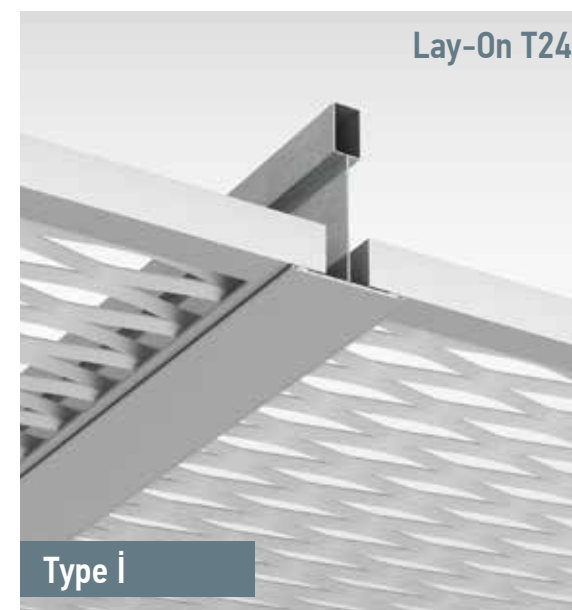
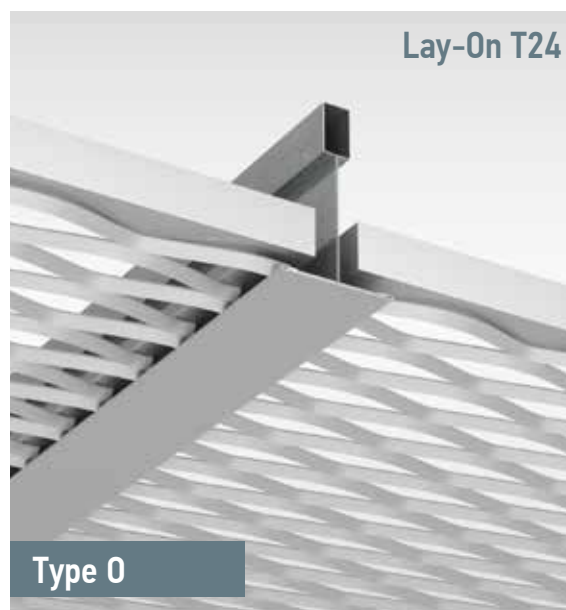
---

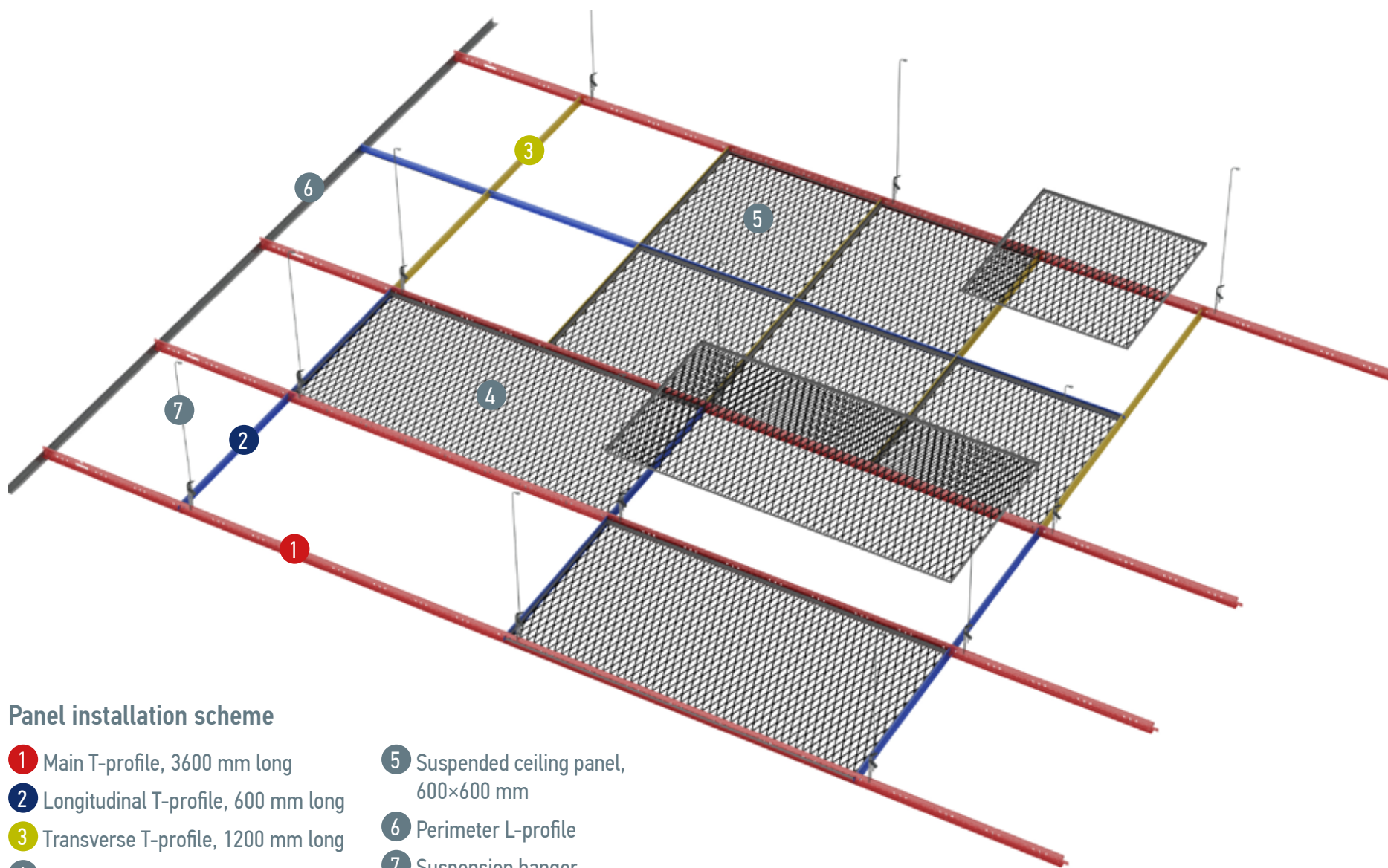
**LAY-ON T24**

**LAY-IN T15**

## Technical characteristics of panels

Specification	Lay-On T24	Lay-In T15
Frame details	Internal L-shaped frame	Internal L-shaped frame with an edge
Support structure	Based on KRAFT Fortis T24 profiles with a width of 24 mm	Based on KRAFT Fortis T15 profiles with a width of 15 mm
Standard panel sizes	600×600 mm, 600×1200 mm	
Mesh metal thickness	1,0 mm	
Coating thickness	60-80 microns	
Colors	Any color from the RAL scale	
Fire safety class	Euroclass A2-s1, d0 according to EN 13501-1	
Acoustic properties	Additional acoustic filling with mineral fiber SOUNDTEX®	
Moisture resistance (according to ECCA, EN 1396, ASTM D 2247, HR)	95%	
Cell size	Standard	





### Panel installation scheme

- 1 Main T-profile, 3600 mm long
- 2 Longitudinal T-profile, 600 mm long
- 3 Transverse T-profile, 1200 mm long
- 4 Suspended ceiling panel, 600×1200 mm
- 5 Suspended ceiling panel, 600×600 mm
- 6 Perimeter L-profile
- 7 Suspension hanger